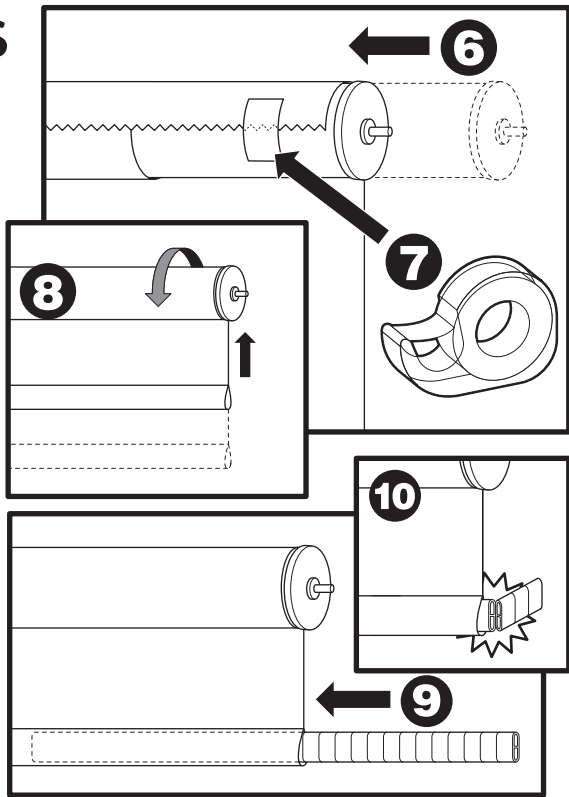
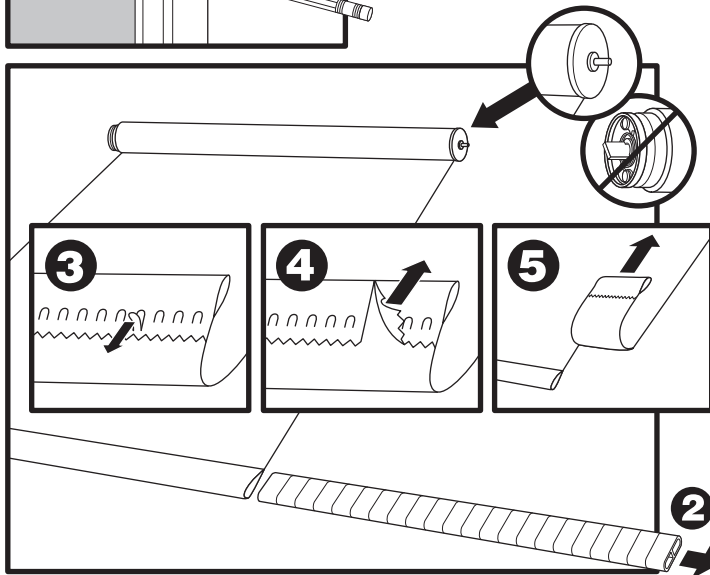


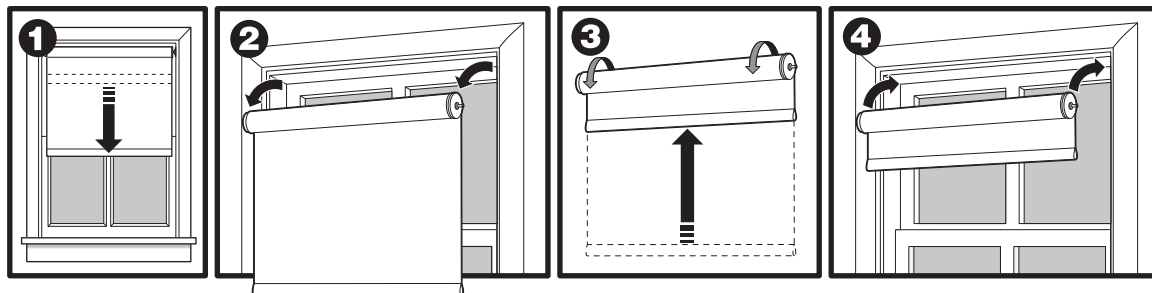
Instructions

Adjusting Window Shade Width



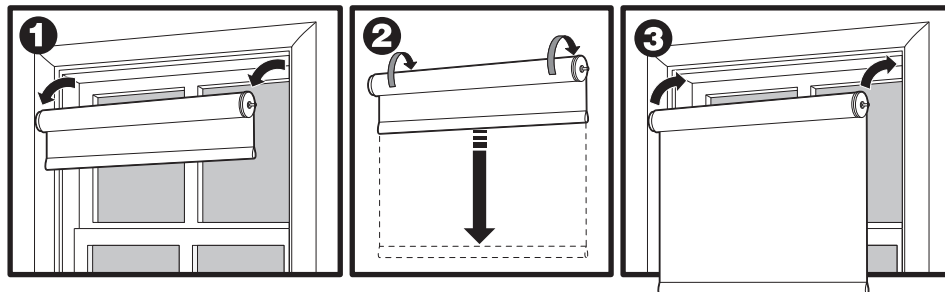
Increasing Spring Tension

Repeat if necessary



Decreasing Spring Tension

Repeat if necessary



Cleaning Instructions
Use mild detergent to wipe shades clean. Test on small area to verify results.

Warranty - The designated warranty on the front of the label is in effect from the date of purchase by the retail customer. If the spring motor or roller in this window shade fails to operate properly under normal residential use due to defect in materials or workmanship, Kenney will replace the window shade free of charge to the original purchaser. This warranty does not apply to commercial applications of the product or window shades which are incorrectly sized or misused or damages by accident. Warranty service is available by returning the window shade, freight prepaid, to: **Kenney Manufacturing Company, 1000 Jefferson Blvd., Warwick, RI 02886** Returned window shades must be accompanied by a copy of the original sales receipt along with the label on which this warranty is printed. This warranty may give you specific legal rights which may vary by state.

CP-9526